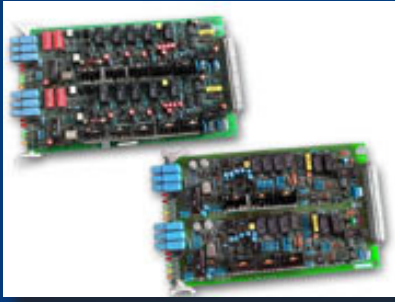


PRIVATE WIRE ELECTRONIC RELAY SETS

Model No: ERS - I / II

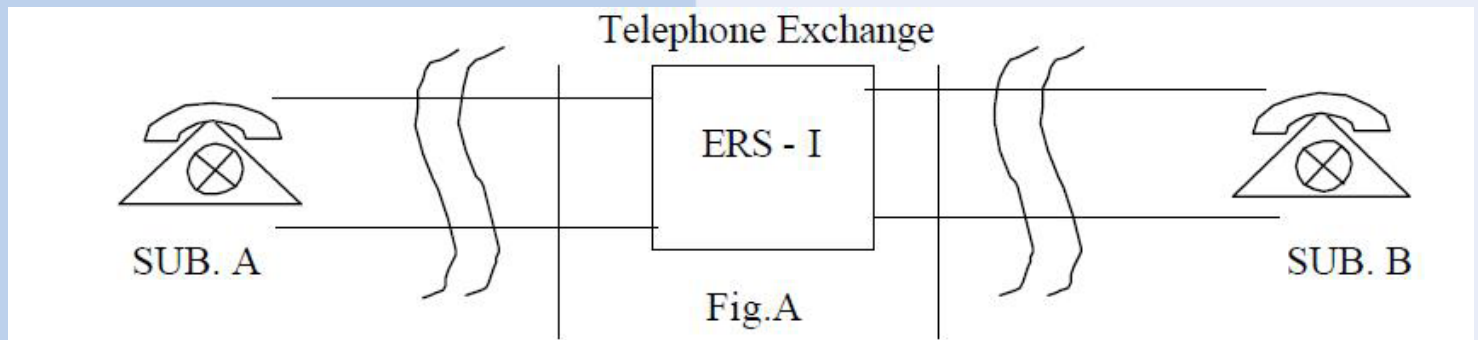


ERS I / II

The Micro Controller Based Electronic Relay Set Card has two circuits. It can be configured to work like a local junction mode Relay set (2W – 2W) or carrier channel mode Relay set (2W – 4W or 6W) by changing the settings. These relay sets will Provide Hot Line Connectivity between two subscribers, and will not have access to PSTN.

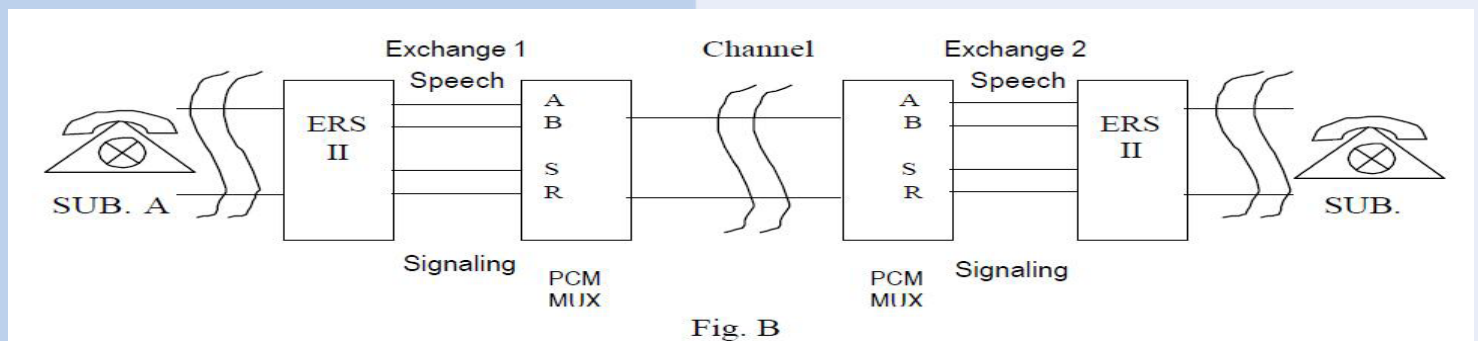
SYSTEM APPLICATION: ERS – I (2W – 2W)

These Circuits are used for interconnection of two subscribers (Sub A and Sub B) together over a physical pair of wires as shown in fig A.



SYSTEM APPLICATION: ERS – II (2W – 4W or 6W)

These Circuits enable interconnection of two Remote subscribers together over a carrier channel. The scheme of inter connection can be shown in fig B. The circuit provides direct services between two subscribers over a CARRIER / COAXIAL / UHF Channels.



NOTE : The specifications can be changed without notice due to technological advances.



INNOVATION COMMUNICATIONS SYSTEMS LTD

(an ISO 9001-2008 company)

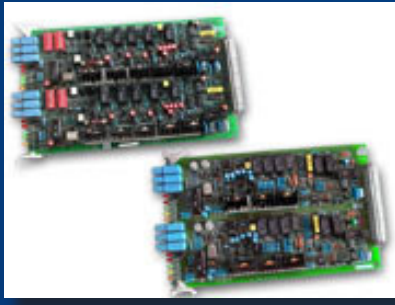
8-3-898/30/2, Road No: 3, Nagarjuna Nagar Colony, Ameerpet, Hyderabad - 500 073, Andhra Pradesh, India

Tel: +91- 40 - 23752790, 23730083

Fax: + 91- 40 - 23752788

www.icsglobal.biz

info@icsglobal.biz



ERS I / II

PRIVATE WIRE ELECTRONIC RELAY SETS

Model No: ERS - I / II

TECHNICAL SPECIFICATIONS

- DC Surge Protection through MOV
- Lighting Protection through GD Tube
- Local Circuit/Channel testing through Front Panel Isolation Jacks.
- Reverse power polarity (-48V) Protection
- DC power short circuit Protection through on board fuse arrangement and fuse blown visual alarm on front panel.
- Visual indication for Sub line / Channel busy condition
- Visual indication alarm for Sub line / Channel faulty condition
- Visual indications for circuit health status and power supply (-48V) fuse failure
- Visual indications for Circuit working Mode (ERS - I / ERS – II)
- No Heat dissipations from the Circuit
- Rugged common Mother Board for each ICS standard sub-rack
- Direct crimping arrangement for exchange wiring from mother board itself
- Local or Remote Ring Back Tone facility in (ERS II) (2W – 4W) Channel Mode
- ERS-I or ERS-II operation mode selection via Dip - Switches
- Smaller & Sleek Rack Mountable Models
- Power Consumption 10 watts

System Features

The system works on -48VDC supply and earth of the exchange where the equipment is installed.

Model No. ERS I (2W –2W)

- Extension of Ringing current to the called party when the calling party lifts the hand set
- Return of Ring back tone to the calling party
- Disconnection of Ringing & Ringtone when the called party answers
- Offering Transmission bridge for speech
- Insertion loss of the equipment is < 0.5 dB at 1000 Hz
- Loop Resistance of the circuit can be

Model No. ERS II (2W – 4W or 6W)

- Detection of loop from the local subscriber and sending of ring back tone to the local subscriber
- On seizure by the local subscriber, extension of Earth signal on send leg (S.Lead) of channel
- On being seized from the channel side, connecting Ringing Current to the local subscriber
- Disconnection of Ring Back Tone when the called party answer
- Offering Transmission bridge for speech.
- Insertion loss of the equipment is < 0.5dB at 1000 Hz
- Loop Résistance of the circuit can be 1.5kOhms

NOTE : The specifications can be changed without notice due to technological advances.



INNOVATION COMMUNICATIONS SYSTEMS LTD

(an ISO 9001-2008 company)

8-3-898/30/2, Road No: 3, Nagarjuna Nagar Colony, Ameerpet, Hyderabad - 500 073, Andhra Pradesh, India

Tel: +91- 40 - 23752790, 23730083

Fax: + 91- 40 - 23752788

www.icsglobal.biz

info@icsglobal.biz

Your IT Partner